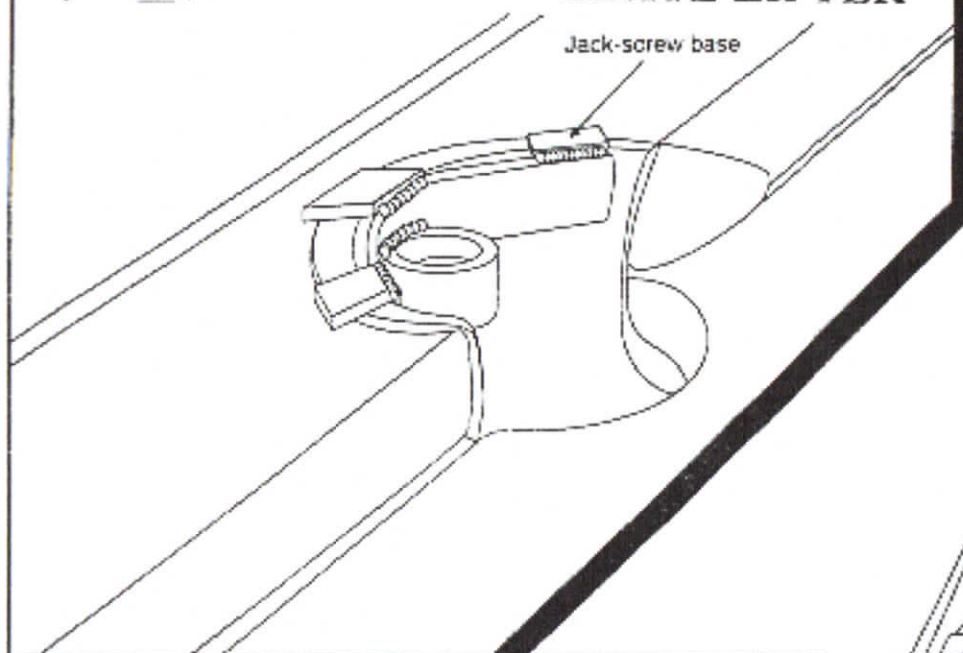


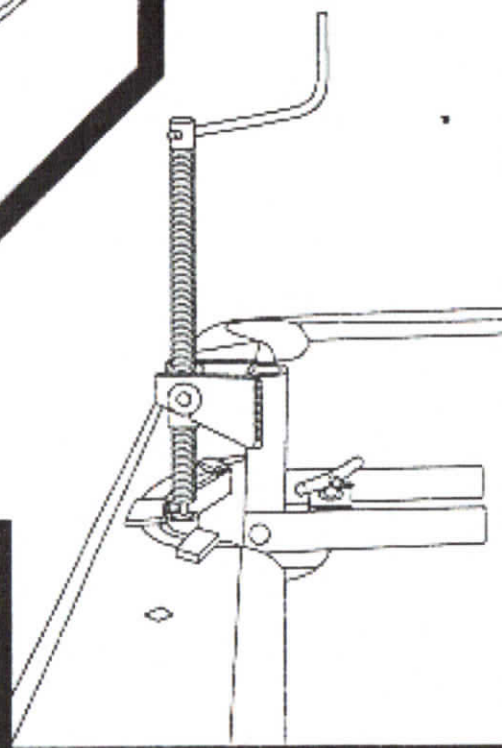
- 1** Place jack-screw base in side pocket.

THE SLATE LIFTER

Jack-screw base

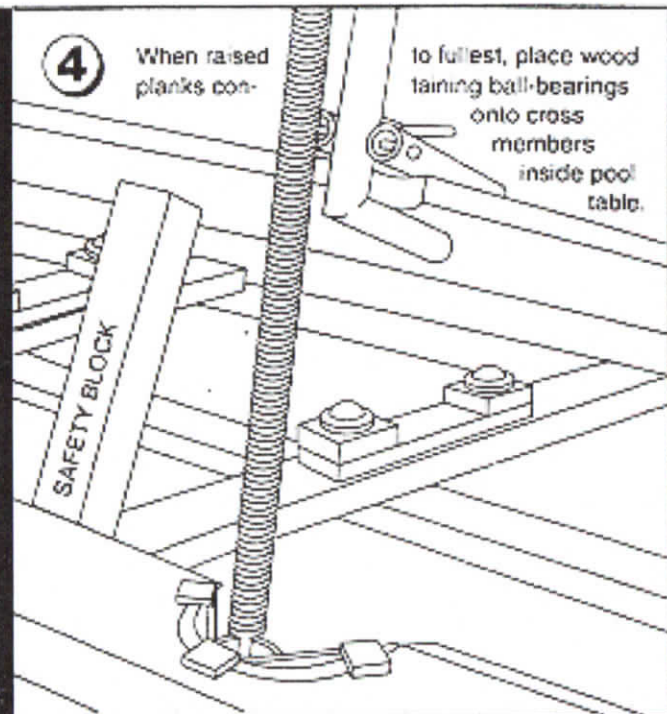


- 3** Insert jack-screw in fork of slate clamp and turn jack-screw to fit lip in jack-screw base. Turn clockwise to raise slate.

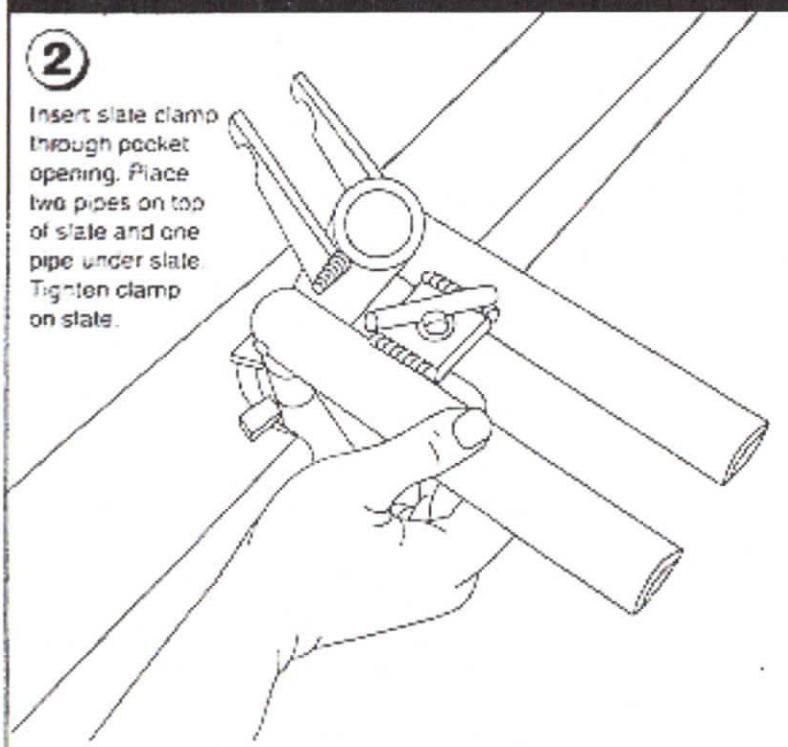


- 4** When raised planks con-

to fullest, place wood taining ball-bearings onto cross members inside pool table.



- 2** Insert slate clamp through pocket opening. Place two pipes on top of slate and one pipe under slate. Tighten clamp on slate.



- 5** Lower slate onto all four ball bearings and slate can now be handled easily.

