

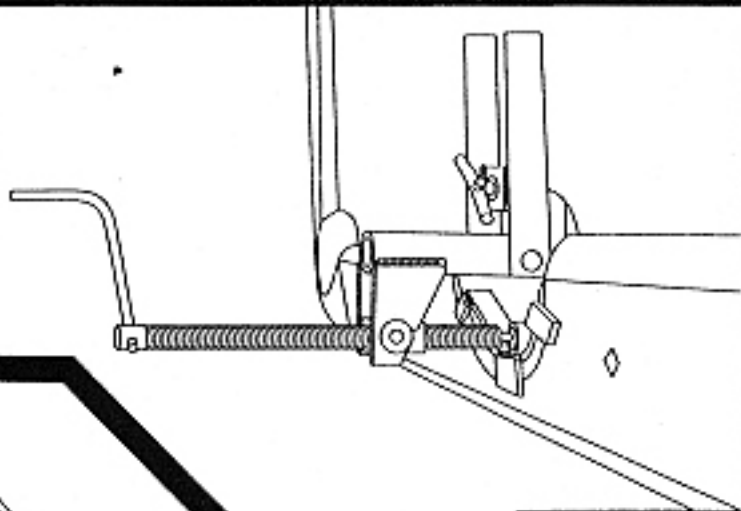
THE SLATE LIFTER

- 1** Place jack-screw base in side pocket.

Jack-screw base



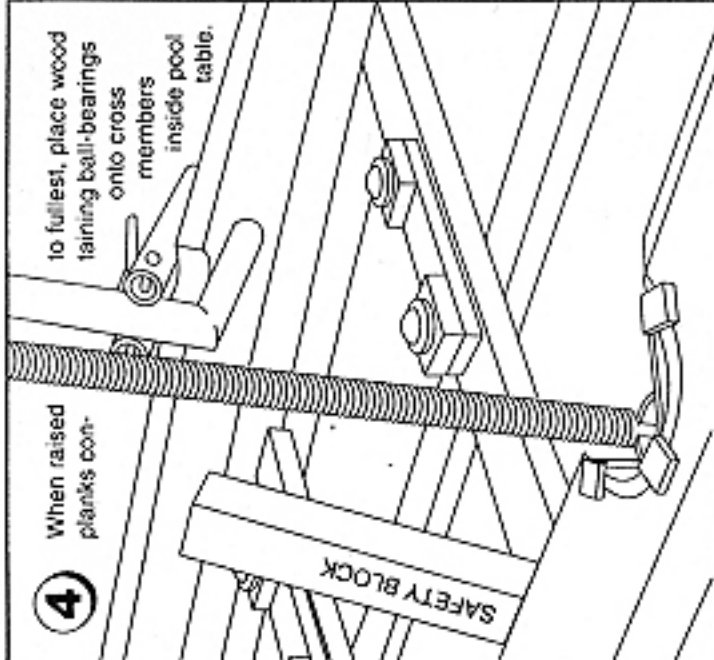
- 3** Insert jack-screw in fork of slate clamp and turn jack-screw to fit tip in jack-screw base. Turn clockwise to raise slate.



- 4** When raised planks connect

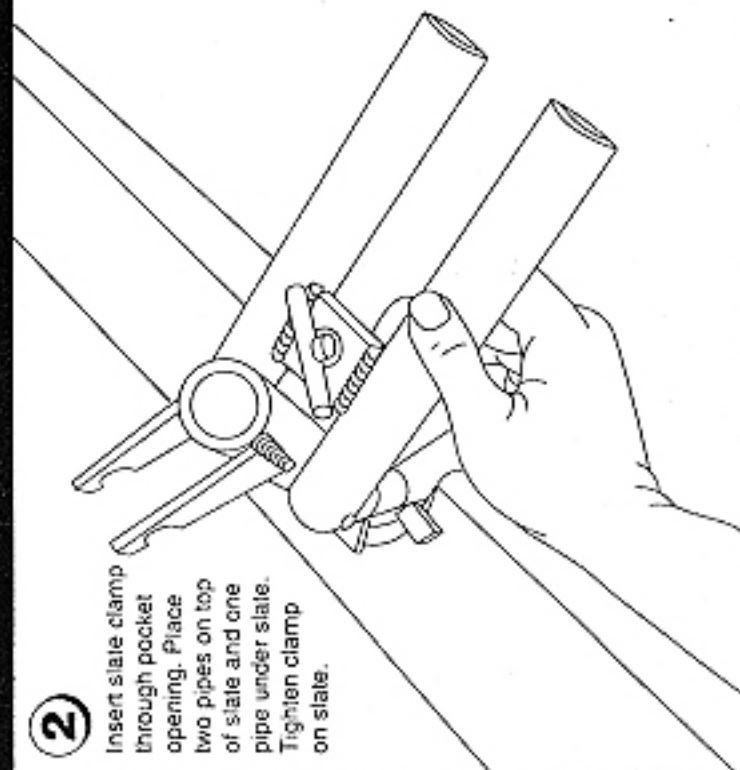
to fullest, place wood taining ball-bearings onto cross members inside pool table.

SAFETY BLOCK



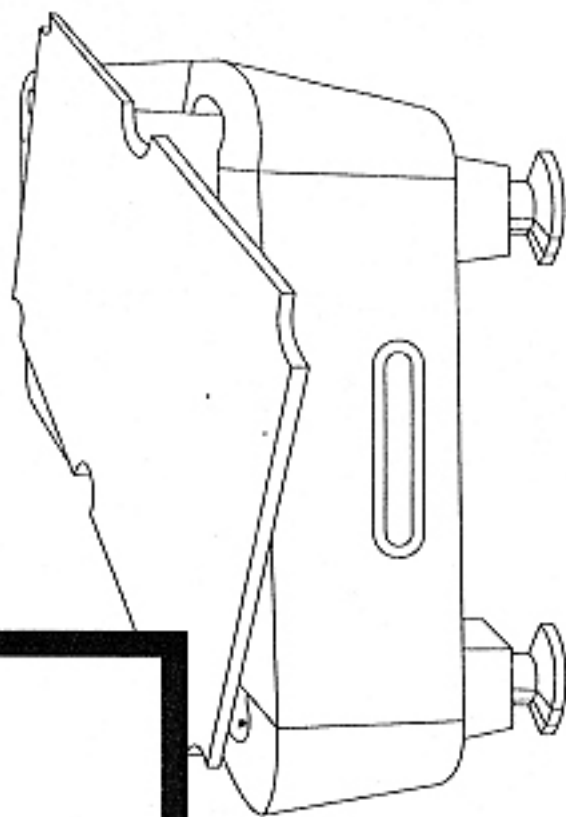
2

Insert slate clamp through pocket opening. Place two pipes on top of slate and one pipe under slate. Tighten clamp on slate.



5

Lower slate onto all four ball bearings and slate can now be handled easily.



Distributed By:

NORTECH

(800) 521-6372 • (210) 741-6075